



# F470 Double Interlock Electric/Electric



- Available in 4" & 6"
- Flanged or Grooved outlet on Model F520 Check Valve
- Uses F470 Deluge Valve with External Reset
- UL/ULC Listed and FM Approved
- Freezers, electrical rooms, tape vaults, computer rooms
- Both the Sprinkler Head and Electrical Detector must operate to allow the Valve to Open
- No Priming water required on Check Valve
- Refer to Technical Data Sheet TD1153 for further information
- How does it operate?...

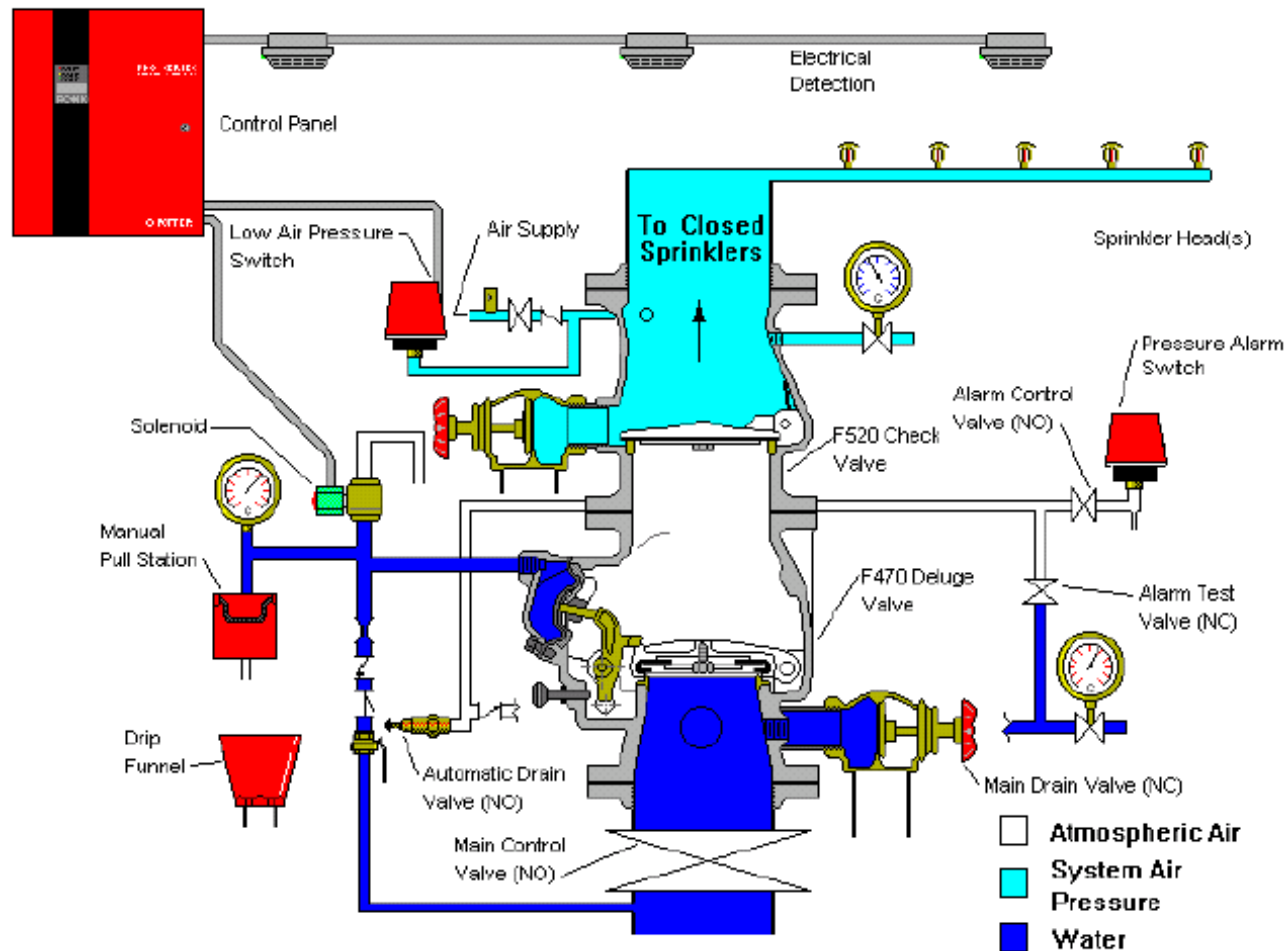
[Return](#)

[Step by Step](#)

[Play Movie](#)



# F470 Double Interlock Electric/Electric



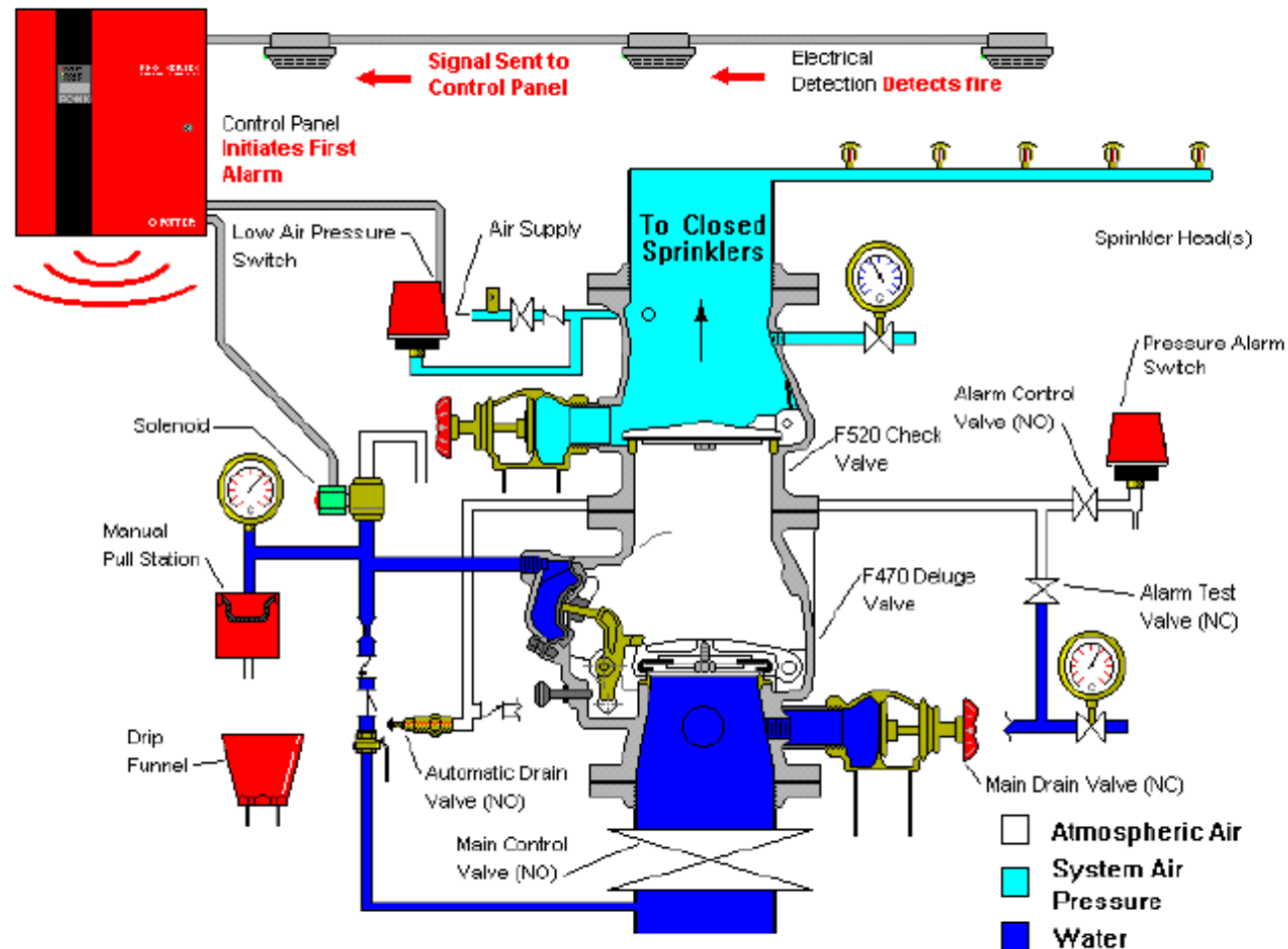
(1) System Normal

Return

Next



# F470 Double Interlock Electric/Electric



(2) Signal Sent to Control Panel - First Alarm

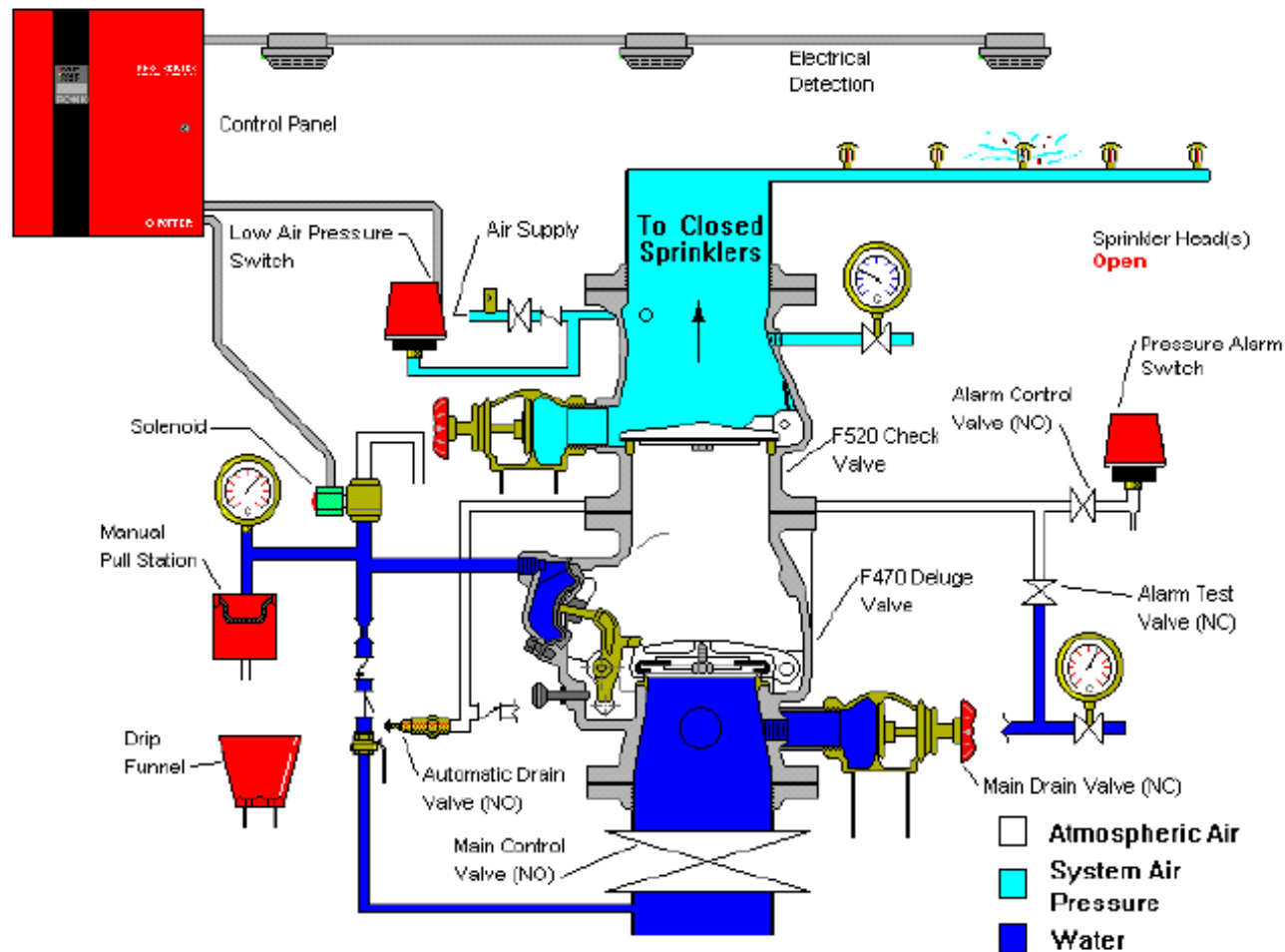
Return

Back

Next



# F470 Double Interlock Electric/Electric



**(3) Sprinkler Head Operates - Loss of Air**

Return

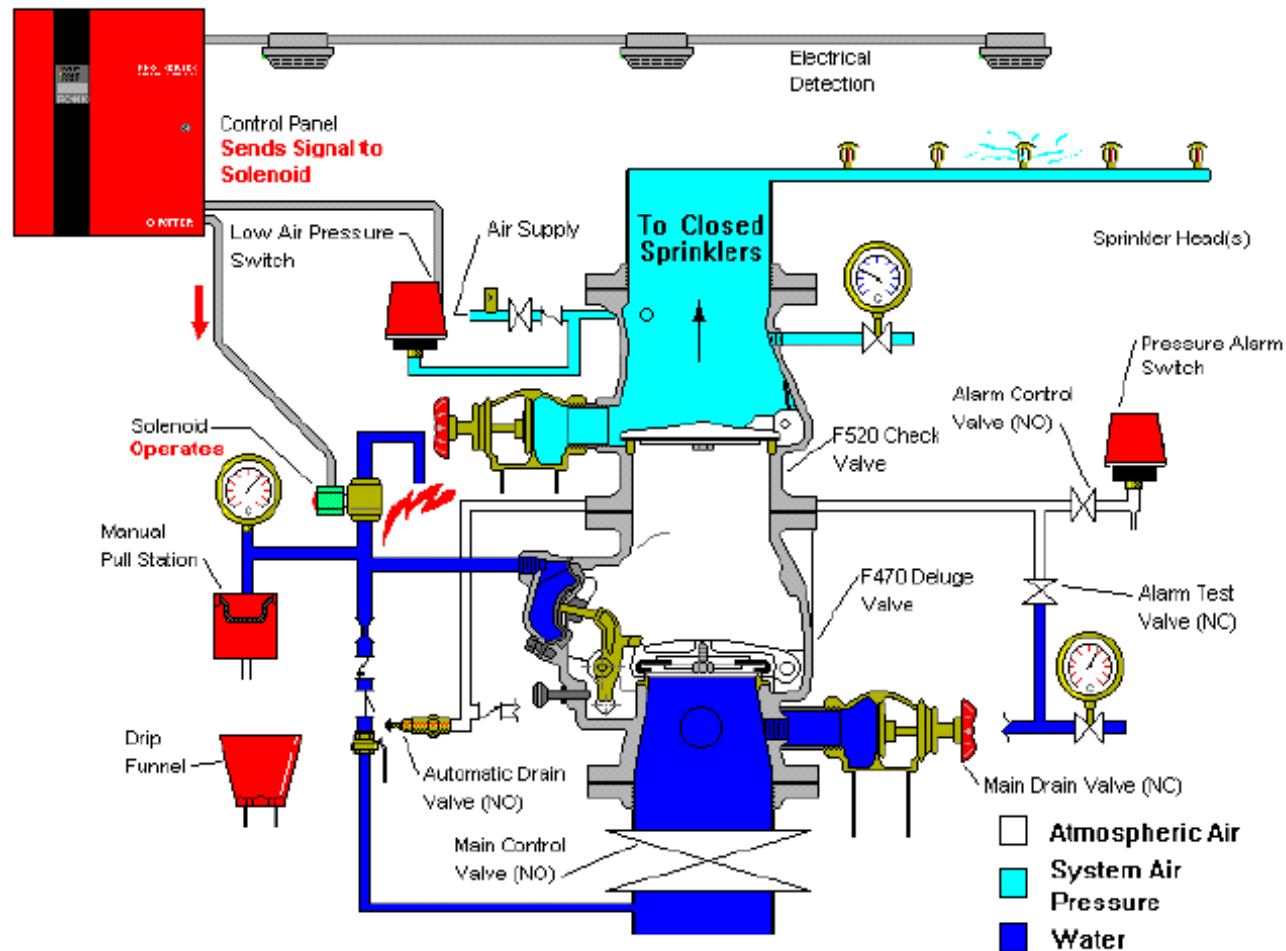
Back

Next





# F470 Double Interlock Electric/Electric



(5) Solenoid Operates

Return

Back

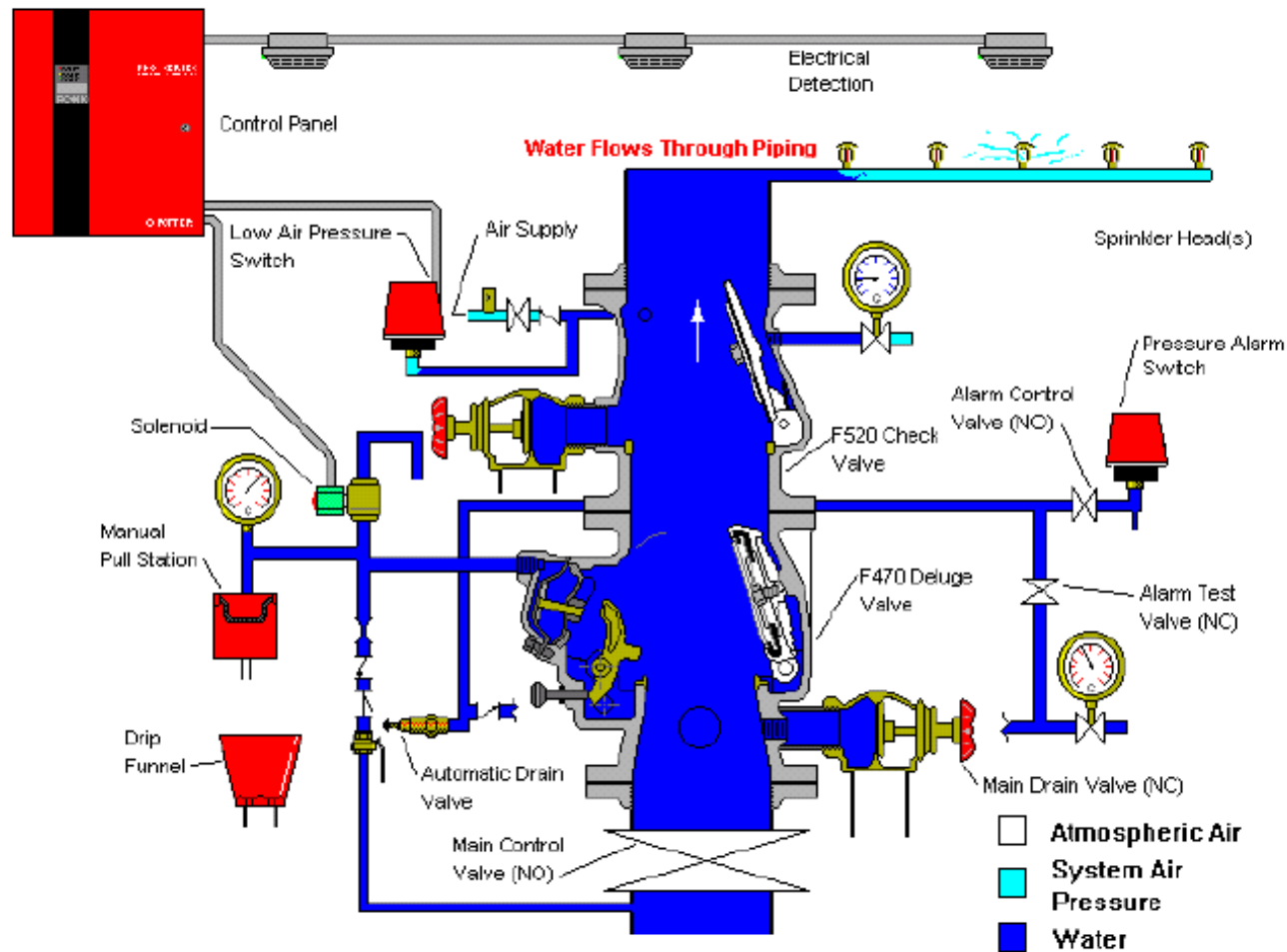
Next







# F470 Double Interlock Electric/Electric



**(8) Water Flows Through Piping**

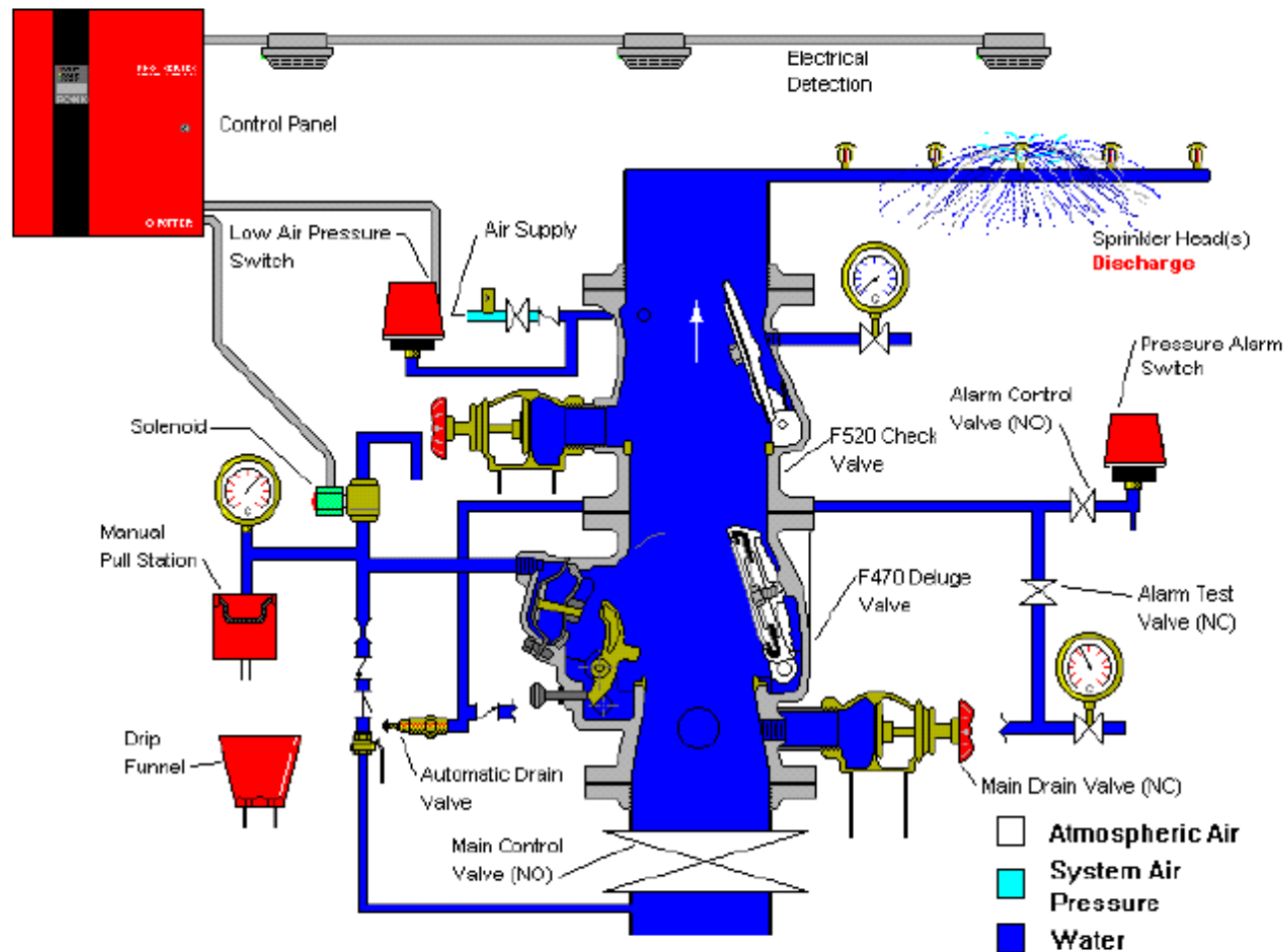
Return

Back

Next



# F470 Double Interlock Electric/Electric



(9) Sprinkler Heads Discharge

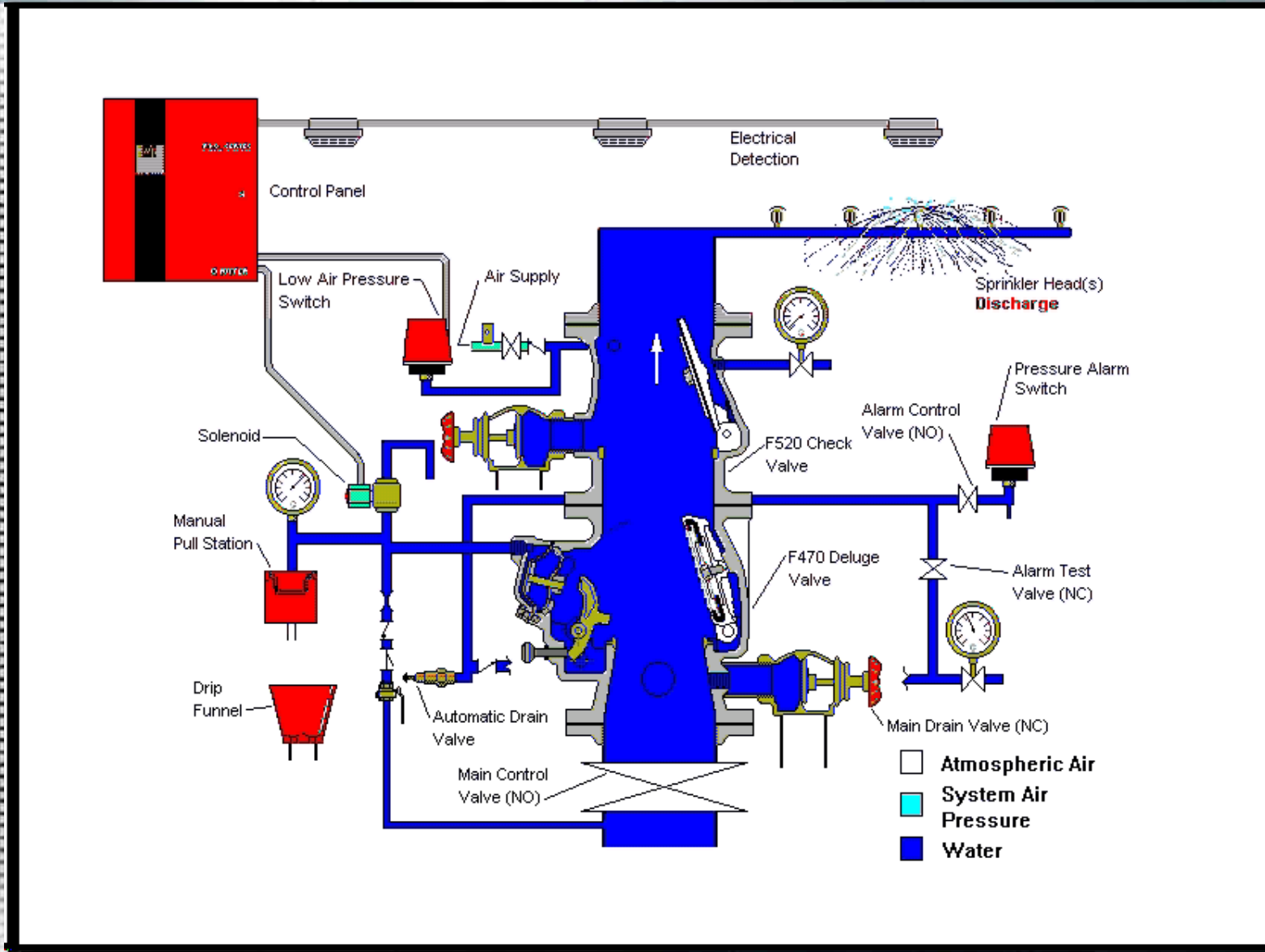
Return

Back

Next



# F470 Double Interlock Electric/Electric



Return

